

evonicfires

quality electric fires built in britain

Ev4i, Ev4i4, Ev6i, Ev6i4, Ev8S & Topaz Instruction Guide



Important Safety Information

Always read this manual first before attempting to install or use this fireplace. For your safety, always comply with all warnings and safety instructions contained in this manual to prevent personal injury or property damage.

Please Note: This product is for well insulated spaces or occasional use.

English



Contents

1. Introduction	2
2. Electrical Safety	3/4
3. Important Instructions	5-7
4. Installation Requirements	8
5. Switch Identification	9
6. E-Touch & App Interface	10
7. Glass Removal	11
8. Inset Wall Mounting	12
9. Hole-in-Wall Installation	13
10. Setting Thermostat	14
11. Technical Specification	15
12. Problem Solving Chart	16/19
13. Warranty	20

welcome to evonicfires

evonicfires is an award-winning brand of CK Fires Ltd, situated just outside Stratford-upon-Avon, we manufacture a range of British built electric fires and are considered as one of the most technically advanced manufacturers in the world, with optional controllers such as e-touch and a fully integrated APP available to download on both




This guide is designed to aid in the installation and continued performance of this product. This product conforms with all health, safety, and environmental protection standards as indicated by a CE mark. For optimum performance this product requires a well insulated location or occasional use.

ELECTRICAL SAFETY:

When using electrical appliances, basic precautions should always be followed to reduce the risk of fire, electric shock, and injury to persons, including the following:

- ① Read all instructions before using this electric fireplace.
- ② This fireplace is hot when in use. To avoid burns, do not let bare skin touch hot surfaces. The trim around the heater outlet becomes hot during heater operation. DANGER: High temperatures may be generated under certain abnormal conditions. Do not partially or fully cover or obstruct the front of this heater.
- ③ Extreme caution is necessary when any heater is used by or near children or people of reduced mobility and whenever the unit is left operating and unattended.
- ④ Young children should be supervised to ensure that they do not play with the appliance.
- ⑤ The appliance is not intended for use by young children or infirmed persons without supervision.
- ⑥ In the event of a malfunction, disconnect power at the service panel and have the unit inspected by a reputable electrician before reusing.
- ⑦ If the supply cord is damaged, it must be replaced by the manufacturer, or its service agent, or a qualified person in order to avoid a hazard.
- ⑧ Do not use outdoors.
- ⑨ Never locate fireplace where it may fall into a bathtub or other water container.
- ⑩ To disconnect the fireplace, turn the controls off, and turn off power to heater circuit at main disconnect panel.
- ⑪ Do not run the cord under carpeting. Do not cover cord with throw rugs, runners, or the like. Arrange cord away from traffic area and where it will not be tripped over.
- ⑫ Do not locate the heater immediately below a fixed socket-outlet.

- 
- ⑬ Do not insert or allow foreign objects to enter any ventilation or exhaust opening as this may cause an electric shock or fire, or damage to the heater.
 - ⑭ To prevent a possible fire, do not block air intakes or exhaust in any manner.
 - ⑮ All electrical heaters have hot and arcing or sparking parts inside. Do not use in areas where gasoline, paint, or flammable liquids are used or stored.
 - ⑯ Use this fireplace only as described in this manual. Any other use not recommended by the manufacturer may cause fire, electric shock or injury to persons.
 - ⑰ Do not change the plug in any way. Always plug heaters directly into a wall outlet/receptacle. Never use with an extension cord or relocatable power tap (outlet/power strip).
 - ⑱ Do not burn wood or other materials in the electric fireplace.
 - ⑲ Do not strike the fireplace glass.
 - ⑳ Always use a certified electrician should new circuits or outlets be required.
 - ㉑ Always use properly grounded, fused and polarized outlets.
 - ㉒ Disconnect all power supply before performing any cleaning, maintenance or relocation of the unit.
 - ㉓ When transporting or storing the unit and cord, keep in a dry place, free from excessive vibration and store so as to avoid damage.

NOTE: Changes or modifications not expressly approved by the party responsible for compliance could void user's authority to operate the equipment.

IMPORTANT INSTRUCTIONS:

Please read these instructions before installation or use and keep this booklet handy for future reference.

All Evonic fires products meet the requirements of the EC Directives.

These directives have been met by compliance with the following standards:

EN 55014-1:2006 + A2:2011 Electromagnetic compatibility.

EN 55014-2:2015 Electromagnetic compatibility.

EN 61000-3-2:2014 Electromagnetic compatibility (EMC). Limits. Limits for harmonic current emissions

EN 61000-3-3:2013 Electromagnetic compatibility (EMC). Limits. Limitation of voltage changes, voltage fluctuations and flicker

EN 60335-1:2012 + A1:2014

EN 60335-2-30:2009+A11:2012

Safety:

This appliance can be used by children aged from 8 years and above and persons with reduced physical, sensory or mental capabilities or lack of experience and knowledge if they have been given supervision or instruction concerning use of the appliance in a safe way and understand the hazards involved.

Children shall not play with the appliance. Cleaning and user maintenance shall not be made by children without supervision

The instructions shall state that the heater must not be located immediately below a socket outlet.

WARNING: in order to avoid overheating, do not cover the heater.

Children of less than 3 years should be kept away unless continuously supervised

Children aged from 3 years and less than 8 years shall only switch on/off the appliance provided that it has been placed or installed in its intended normal operating position and they have been given supervision or instruction concerning use of the appliance in a safe way and understand the hazards involved. Children aged from 3 years and less than 8 years shall not plug in, regulate and clean the appliance or perform user maintenance.

CAUTION: Some parts of this product can become very hot and cause burns. Particular attention has to be given where children and vulnerable people are present

CAUTION: In order to avoid a hazard due to inadvertent resetting of the thermal cut-out, this appliance must not be supplied through an external switching device, such as a timer, or connected to a circuit that is regularly switched on and off by the utility

CAUTION: The LED light system shall be replaced by electrically competent personnel only (LP – These cannot be user

replaceable since they will allow access to live parts)

General Warnings:

Never leave children unsupervised with an unguarded heater.

Never obstruct or cover the heater outlet.

Never install or use this product where it may come in contact with water i.e. a bathroom or wet room.

Never use aerosols or steam cleaners near this product.

Never route the electric cable near the heater outlet.

Never route the electric cable under carpets or floor coverings.

Never install this product close to curtains or combustible materials.

Never Use the heater to dry clothes or other objects.

Never remove the fireplace surrounding without isolating the electric supply.

Important electrical safety:

This appliance must never be installed above or in front of a fixed electric socket.

The electrical socket must be easily accessible to isolate the supply during maintenance and cleaning.

This appliance is supplied with a two meter power lead, which has a 13Amp moulded three pin plug to connect to a standard 230/240V plug socket.

This appliance must always be earthed. If in any doubt consult a suitably competent person.

Replacement plug: (Please note that it will invalidate your warranty if the moulded plug is removed and connected to a fused spur by an unqualified person).

Review and consider all of the following conditions before installation:

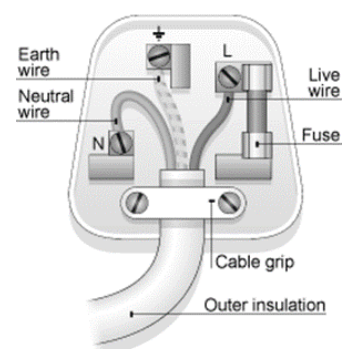
This appliance must only be connected to a 230/240 Volts AC 50Hz supply. Before connecting the fire, check that the supply voltage is the same as stated on the fire. This appliance must only be used on a AC supply, fuse rating 13Amp.

The wires in the mains lead are coloured in accordance with a standard UK supply, these being:

GREEN/YELLOW – EARTH

BLUE – NEUTRAL

BROWN – LIVE



As the colours of the mains lead of this appliance may not match the coloured markings used to identify the terminals in a plug, please observe the following (**Fig:1**).

- The green and yellow wire must be connected to the terminal in the plug which is marked with the letter **E** or Earth symbol.
- The blue wire must be connected to the terminal in the plug which is marked with the letter **N**.
- The brown wire must be connected to the terminal in the plug marked with the letter **L**.
- Replace fuses only with fuses of the correct size and rating.

Servicing:

Only a competent person should service this appliance.

This appliance **must** be serviced every 12 months.

Warning: Before carrying out any repairs or servicing, ensure that the power supply cord is removed from the mains supply.

INSTALLATION REQUIREMENTS:

INSTALLATION REQUIREMENTS:

INSET MODELS

This product has been designed to be installed into a standard 420mm(W) x 570mm (H) x 80mm(D)

If the product is to be installed into an open chimney or flue, it is important that the chimney flue is blocked off to prevent any up/down draughts and falling debris which could restrict the airflow to the product.

It is also important to ensure that the product has a minimum clearance around it of 15mm, this is to ensure that the product can circulate the required airflow to the heater unit.

The product should never be sealed into an opening with the use of silicones or adhesives as this can alter the airflow and hinder any further servicing of the product.

Please refer to technical specification table for further information, with reference to measurements.

HEATER UNIT CUT OUT—This is a safety feature to safe guard against further damage to the product.

If the airflow is restricted the heater will automatically turn off. This can occur due to incorrect installation or obstruction. To reset the heater function;

- Isolate from main power supply
- Leave product to cool
- After suitable cooling down period, remove the obstruction if obstructed and check installation
- After 10 minutes the thermo switch (cut-out) in the heater will reset.

Please note that both the effect fan and heater fan omit a low decibel noise, both of which are normal operating characteristics.

Switch Identification

The on/off switch to activate connection to your app or E-Touch is located at the front of the fire, in the gap between the front glass panel and the bottom edge of the frame. Fig 1.

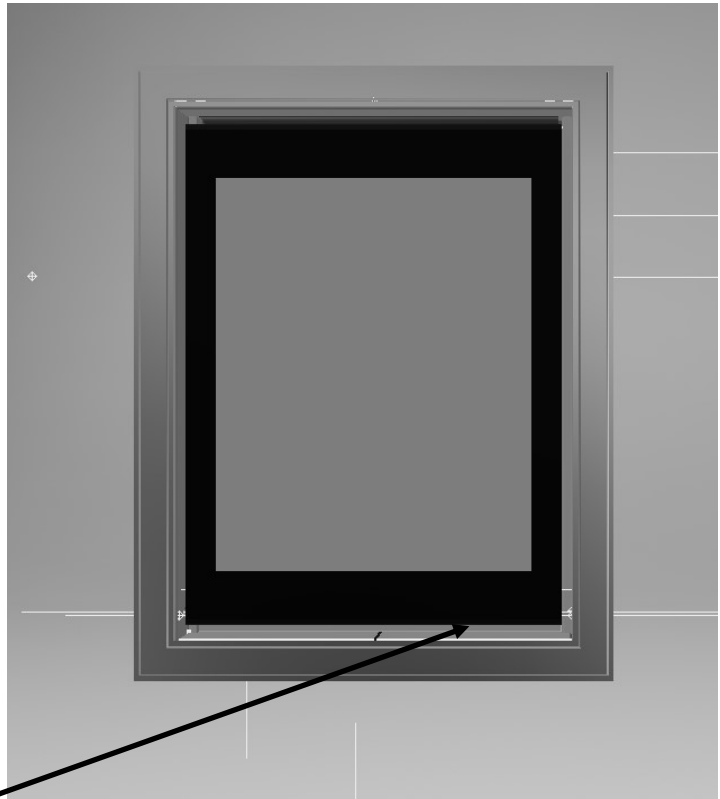


Fig 1.

Your main power supply is attached to the IEC through the back of the fire. Fig 2.

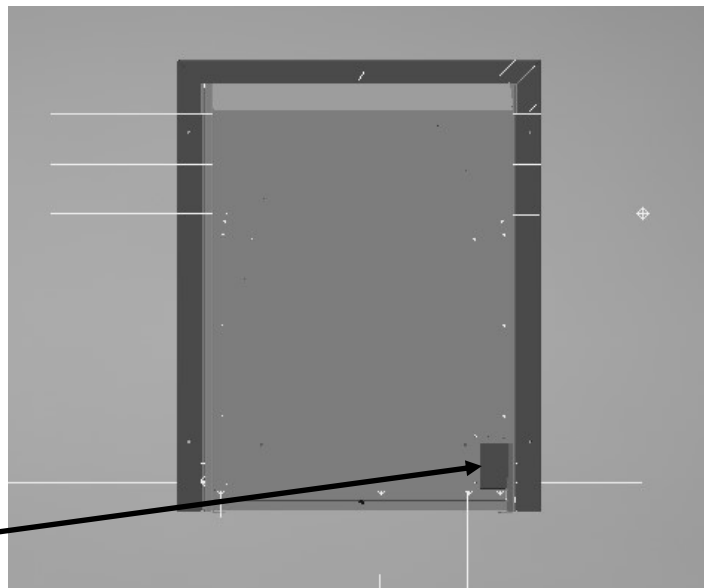


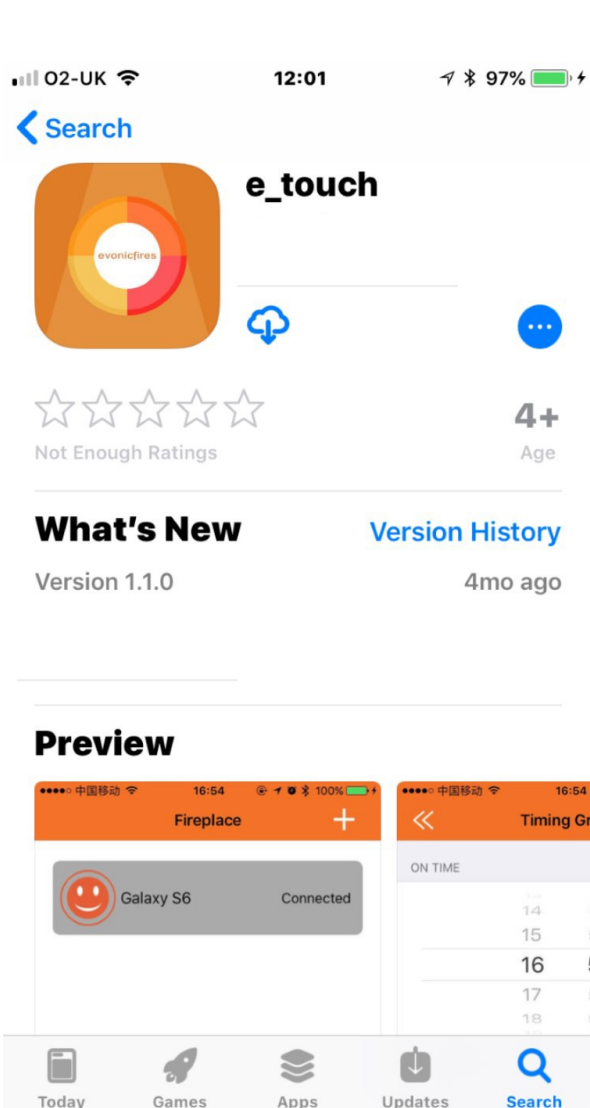
Fig 2.

E-Touch & App Template

The Appliance is operated using the E-Touch App Control.

The App Control can be used on either OS or Android operating systems.

To obtain the App please visit either the OS App Store Or Google Play and follow the on screen instructions.



Screen shot taken from Apple App Store.



Home Screen shot taken from E-Touch App

Glass Removal

To install the fuel set (Logs, Pebbles, Coals) the below steps must be taken

The front glass is held in place by two brackets, located at the top and bottom of the fire. Fig 1.

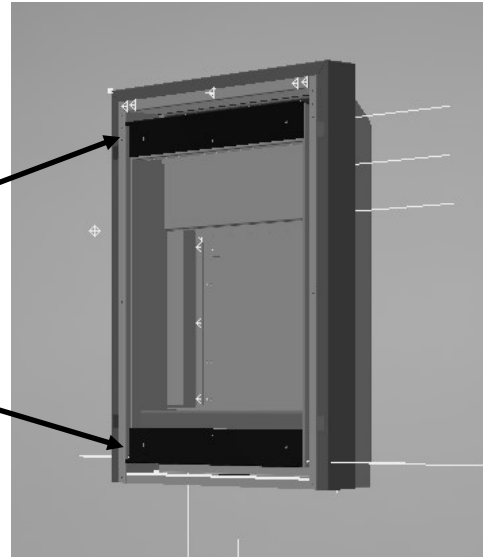


Fig 1.

To remove the front glass, start by identifying the key hole slots located in each bracket. There are 2 in each bracket, one on the left and one on the right.

Fig 2.

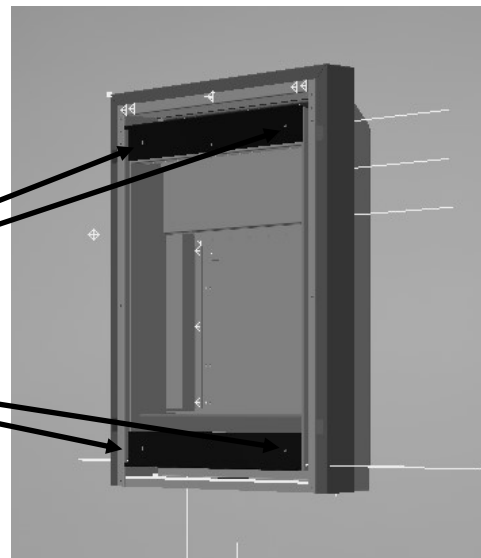


Fig 2.

Once you have found the key hole slots, lift the front glass panel vertically, then towards you to release the brackets. Fig 3.

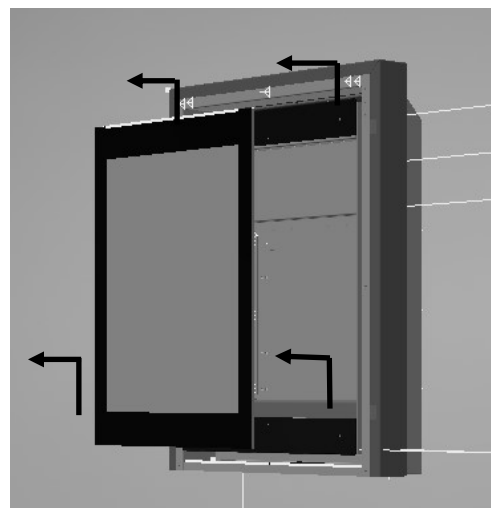


Fig 3.

Inset Wall Mounting

To wall mount this appliance, please follow the subsequent instructions.

Please refer to technical specification page for exact measurements, ensuring the space you wish to install the appliance fits correctly.

This product has been designed to be installed into a plaster board, drywalled, or existing masonry chimney breast.

Please seek advice from a professional, with reference to the structural integrity of the installation site.

PLEASE NOTE: The screws and wall plugs provided are only suitable for a solid wall fixing / when installing onto a hollow-stud wall it is recommended that heavy duty wall anchors or equivalent are used.

The product should never be sealed into a opening with the use of silicones or adhesives as this can also alter the airflow and hinder any further servicing of the product.

To begin the wall-mounting procedure, measure the width, depth and height of your appliance along with the space you wish to install the fire into. Fig 1.

Fit your fire into the cavity, ensuring it is adequately supported. Then secure the spacer by screwing the fixing points into the fireplace (fig 2) and attach the frame using magnets in each corner (fig 3)

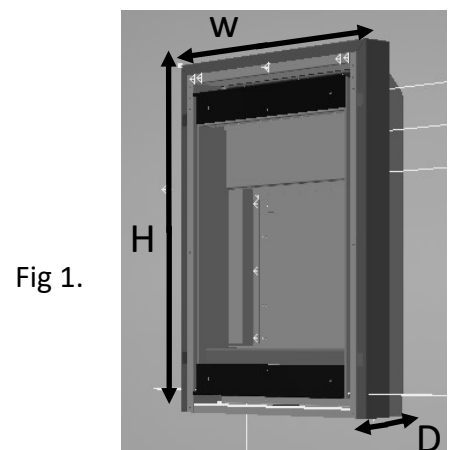


Fig 1.

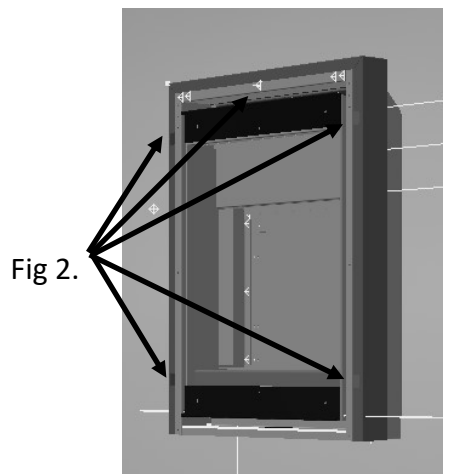


Fig 2.

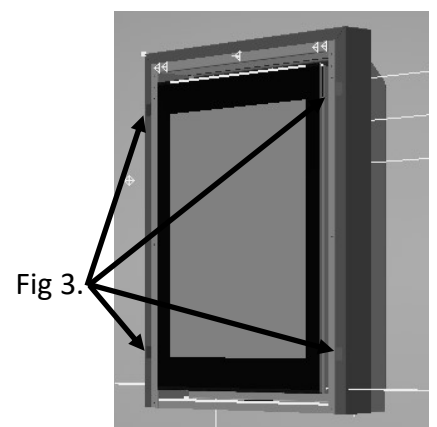


Fig 3.

Hole-in-wall Installation

To Install the appliance inside an existing wall cavity, please follow the subsequent instructions.

Please refer to technical specification page for exact measurements, ensuring the space you wish to install the appliance fits correctly.

This product has been designed to be installed into a plaster board, dry walled, or existing masonry chimney breast.

Please seek advice from a professional, with reference to the structural integrity of the installation site.

PLEASE NOTE: The screws and wall plugs provided are only suitable for a solid wall fixing / when installing onto a hollow-stud wall it is recommended that heavy duty wall anchors or equivalent are used.

The product should never be sealed into a opening with the use of silicones or adhesives as this can also alter the airflow and hinder any further servicing of the product.

To successfully install this appliance into a wall cavity, you must first start by checking the specifications of the fire & the cut-out you wish install the fireplace into (**W,D & H**). Fig 1.

Once you have established the correct measurements, simply insert the fireplace into the cavity ensuring it has ample insulation. Then complete installation by attaching spacer using the fixing points (Fig 2) and the frame using magnets (Fig 3) in each corner.

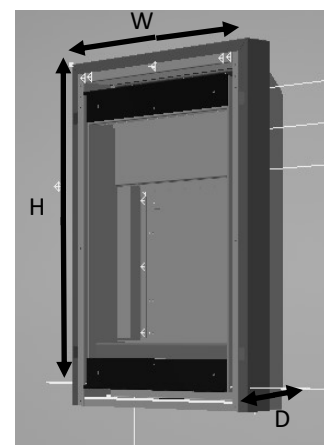


Fig 1.

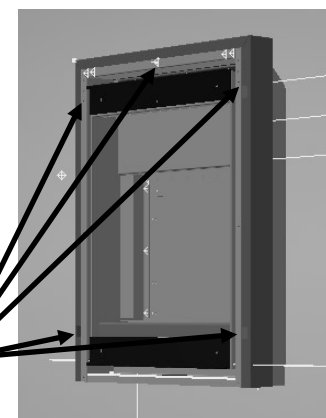


Fig 2.

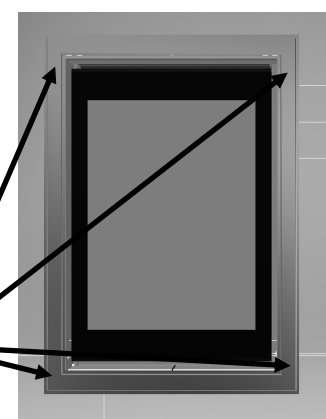


Fig 3.

Setting the Thermostat

Note: This only applies to **MANUAL** fires

Ensure the fire is plugged in.

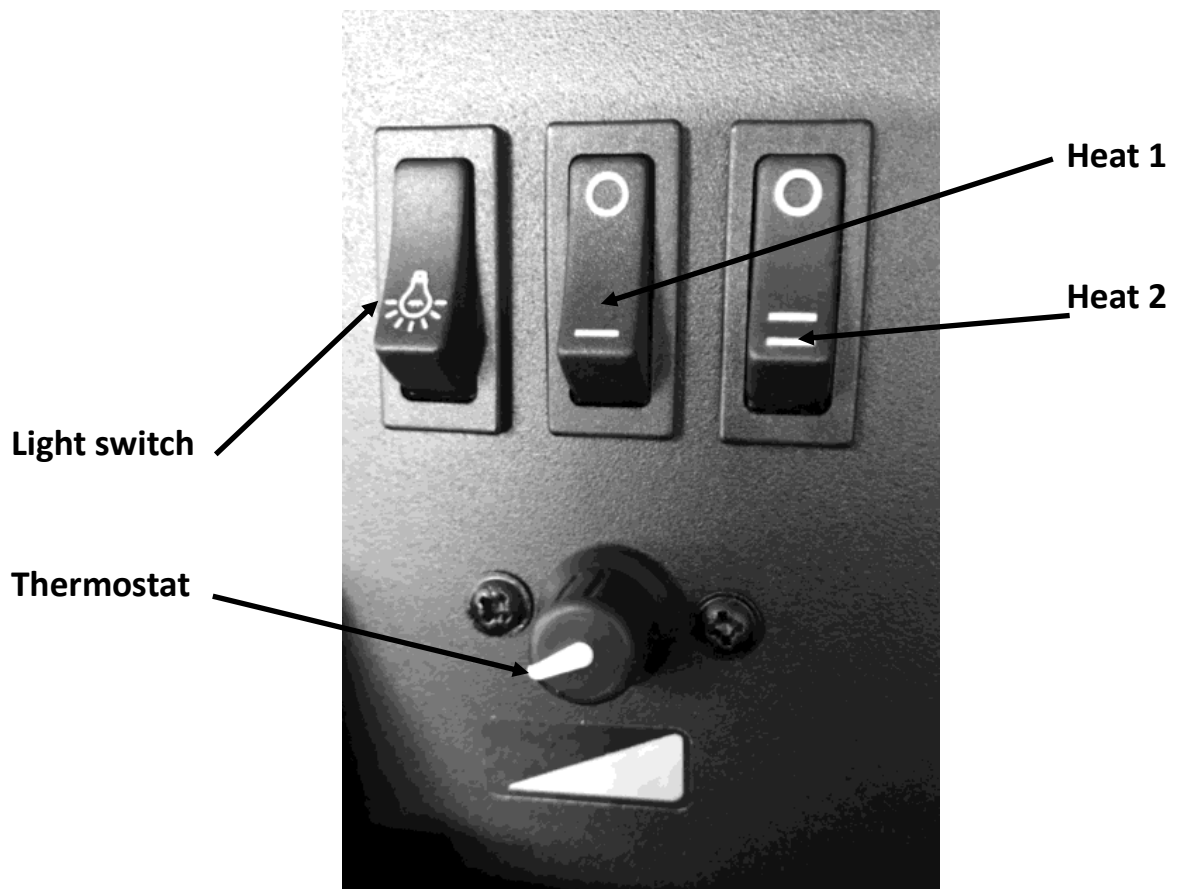
Start by pressing the 'light' button on the left. This will activate your LED's and bottom blower.

For heat setting, ensure the thermostat knob is turned fully to the right (max temperature).

Once this has been completed, you can choose to have either 1kw or 2kw of heat given from your fire.

For 1kw, simply press the middle button with the single line at the bottom (heat 1).

For 2kw, repeat this process but also turn the right switch on marked with 2 lines at the bottom (heat 2).



Technical Specification & Maintenance

<u>MODEL</u>	<u>TOTAL HEIGHT</u>	<u>TOTAL WIDTH</u>	<u>TOTAL DEPTH</u>	<u>INSET HEIGHT</u>	<u>INSET WIDTH</u>	<u>INSET DEPTH</u>
EV4i	590MM	480MM	145MM	550MM	382MM	75MM
EV4i4	620MM	480MM	145MM	550MM	382MM	75MM
EV6i	585MM	595MM	145MM	565MM	570MM	145MM
EV6i4	615MM	595MM	145MM	565MM	570MM	145MM
TOPAZ	605MM	645MM	135MM	550MM	382MM	75MM
EV8S	520MM	855MM	315MM	N/A	N/A	N/A

Troubleshooting Flow Chart:

Problem

Possible Cause

Solution

1) Flames not working correctly	→ Ribbons are statically connected to glass.	→ Spray some anti-static spray beneath the tray.
	→ Installation airflow restricted.	→ Check the correct aperture has been adhered to when installing— Recommended clearance is 100mm .
	→ Blower clogged.	→ Fan requires cleaning out.
	→ Slow fan.	→ Fan requires cleaning out. If problem persists, replacement fan may be required.

2) Heater blowing cold	→ Possible installation gaps/Chimney not adequately blocked off.	→ Chimney may not be fully blocked. Correct aperture has not been adhered to— 100mm
	→ Fan clogged.	→ Heater fan requires cleaning out
	→ Faulty element.	→ Replace element
	→ Slow fan.	→ Check fan placement. If problem persists replacement fan may be required.

Problem

Possible Cause

Solution

3) Noisy Heater	→	Fan unbalanced.	→	Adjust fan to stop catching on the case. If problem persists replacement fan unit maybe required.
	→	Fan catching on housing.	→	Adjust fan to stop catching on the case
	→	Fan clogged.	→	Fan requires cleaning out. If problem persists a replacement fan may be required.
	→	Fan has come loose.	→	Tighten fan cradle or screws holding fan onto fan cradle.

4) Noisy Flame Effect	→	Fan unbalanced.	→	Adjust fan to stop catching on the case. If problem persists a replacement fan unit may be required.
	→	Fan catching on housing.	→	Adjust fan to stop catching on the case.
	→	Fan clogged.	→	Fan requires cleaning out. If problem persists a replacement fan may be required.
	→	Fan has come loose.	→	Tighten fan cradle or screws holding fan onto fan cradle.

Problem

Possible Cause

Solution

5)

Fire not turning on.



Rocker switch has not been turned to the 'ON' position.



Double check switches are turned to the 'ON' position.



Remote/App not paired.



Remote needs pairing. See separate pairing instructions for guide.



Fuse blown.



Replace fuse.



Unit not plugged in correctly.



Check to be sure the power lead is plugged in adequately.

6)

No lights



Loose connection or disconnected wire.



Check all connections on LED's



LED shorting out



Check location of short—Replace LED strip if necessary.



LED blown



LED strip needs replacing.



Blown driver on PCB



PCB needs replacing.

Problem	Possible Cause	Solution
<p>7) Heater coming on randomly</p>	<p>Timer has been accidentally set.</p>	<p>Double check timer settings.</p>
	<p>Thermostat faulty.</p>	<p>Replace PCB.</p>
<p>8) LED streaking</p>	<p>LED dropped down.</p>	<p>LED needs to be re-stuck into place.</p>
	<p>Log positioning.</p>	<p>Change log positioning to hide any direct view of LED strip.</p>
<p>9) Heater cutting out</p>	<p>Build up of hot air triggering heater cut-out unit.</p>	<p>Ensure the appliance has the required aperture for air to circulate and prevent build-up. Recommended 100mm</p>

Conditions of warranty:

If this appliance should prove to be defective due to faulty design, materials or workmanship within 12 months of purchase, the product will be repaired free of charge, subject to the following conditions:

The electric fire shall have been purchased and used solely within the UK and Ireland for domestic purposes and in accordance with the users operating instructions.

It is the purchasers responsibility to prove that the unit is under warranty, e.g. receipt of purchase.

All warranties, will be invalidated if unauthorised repairs or modifications are made to the electric fire, or in case of accident, misuse or damage caused by improper installation, or to damage occurring during transit to or from the repairer and altered or missing serial numbers.

Any parts, which have been replaced under this warranty, shall become our property.

The company shall not be liable for any consequential loss or damage what so ever, arising from or in connection with this electric fire.

This Warranty does not apply to Heating elements, Bulbs or fuses.

'No fault found', service calls and installation errors are not covered under the manufacturers warranty and will result in a charge being made for the Call-Out by our appointed service engineer.

This warranty is in addition to and does not affect the purchasers statutory rights of consumers.

Registering product:

To register a product please visit: www.evonicfires.co.uk and complete the fields required under the **Register a Product Section**. By registering your appliance, an extra 12 months of cover will be added to your warranty.

CK Fires Ltd / Evonic Fires

1 Evonic house, Clifford park, Clifford lane, Stratford-Upon-Avon, CV37 8HW

Tel: +44 (0) 1789 263868 Fax: +44 (0) 1789 293080